

ELITE

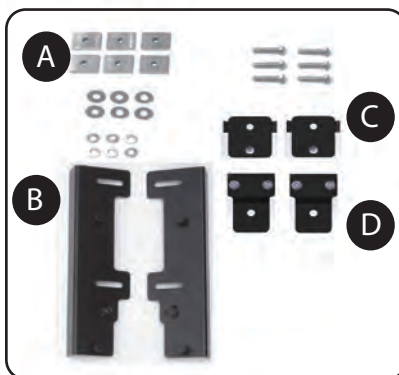
by UnderCover

MODEL SPECIFIC GUIDE

Hidden Hinge Version

Model 4148 Toyota Tacoma Std/Ext/Double Cab

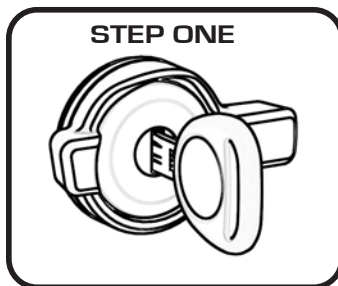
6' Long Bed 2016-Current *(with multi-track system)*



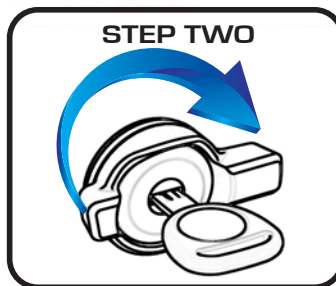
Tacoma Bracket Kit
A: Mounting Hardware
B: Front Brackets
C: Prop Brackets
D: Rear Brackets

Program Your Key

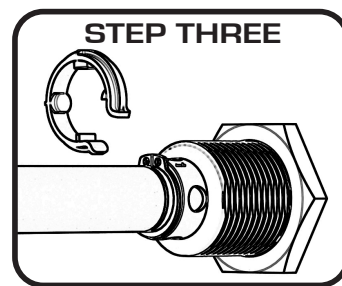
WARNING
 IF KEY IS NOT FULLY INSERTED
 PRIOR TO ROTATING - DAMAGE
 TO LOCK WILL OCCUR.



REMOVE LABEL,
FULLY INSERT KEY



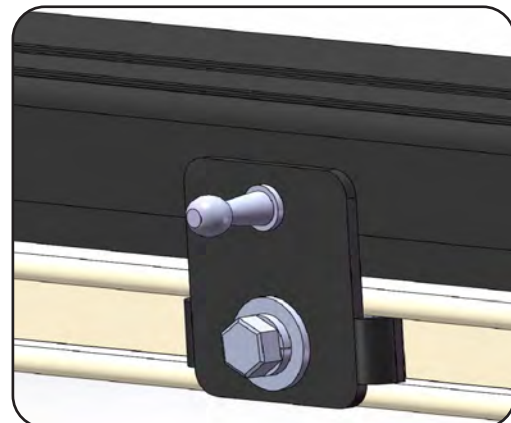
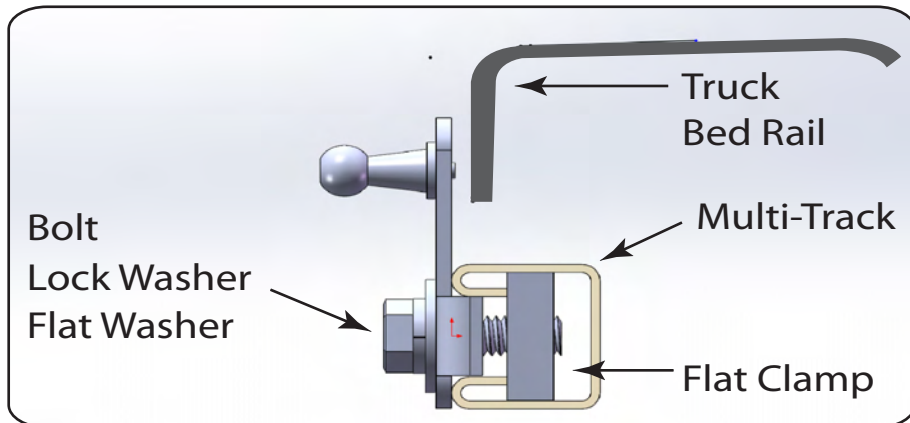
ROTATE CLOCKWISE
180 DEGREES



REMOVE PLASTIC CLIP
BY PUSHING ON TABS.
DISCARD CLIP.

RE: Step 2 on the Quick Start Guide

Remove the end caps from the Multi-Track system. Install the prop mounting brackets. Slightly screw the Multi-Track flat clamps on to the bolt and through the prop mounting bracket. Slide the flat clamp into the Multi-Track system. Position according to the measurement on the reverse side.

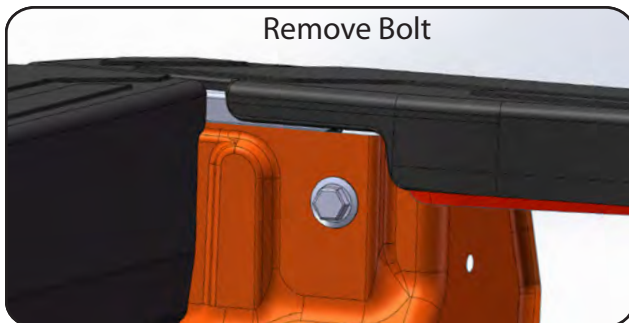
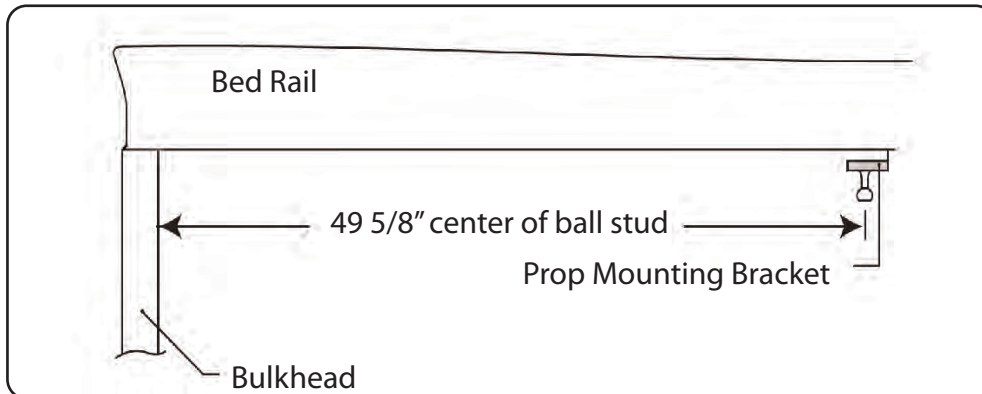




MODEL SPECIFIC GUIDE Hidden Hinge Version Model 4148 Toyota Tacoma 6' Long Bed

Continued - RE: Step 2 on the Quick Start Guide

Position the prop mount bracket 49 5/8" from the front of the bulkhead to the center of the ball stud. Install the rear brackets using the bolt nearest the tailgate, close to the top rail of the truck.

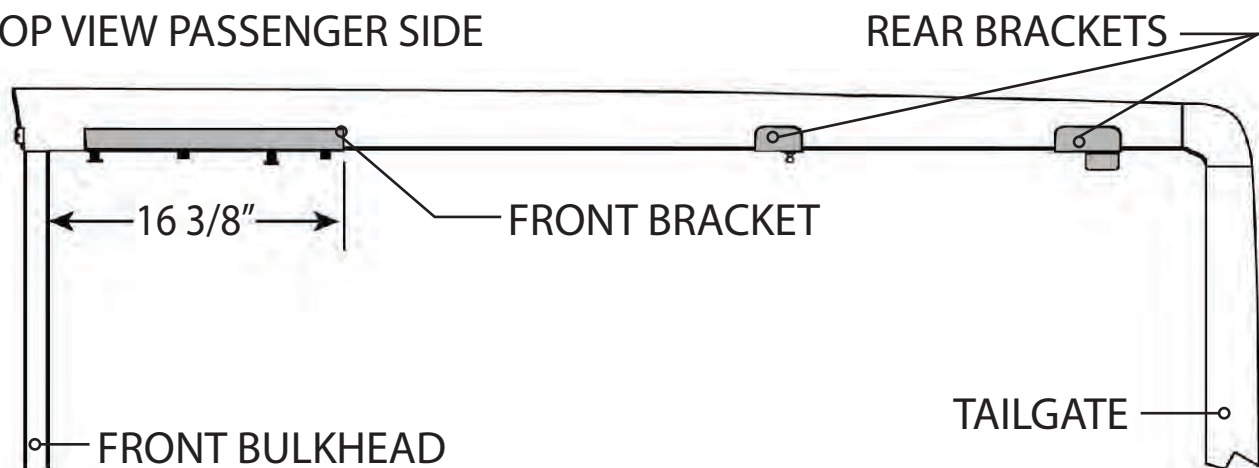


RE: Step 3 on the Quick Start Guide

Measurement for the front mounting bracket is 16 3/8" from the back side of the bulkhead to the end of the bracket. Install using the Multi-Track flat clamp.

The fit of the cover to the truck bed is determined by the front mounting brackets. This measurement is a good starting point. Unfortunately not all truck beds are assembled 100% square, so some adjustments may be necessary after the cover is set on the truck.

TOP VIEW PASSENGER SIDE



UnderCover, Inc.
P.O. Box 620
Rogersville, MO 65742
(417) 753-8000
(866) 900-8800

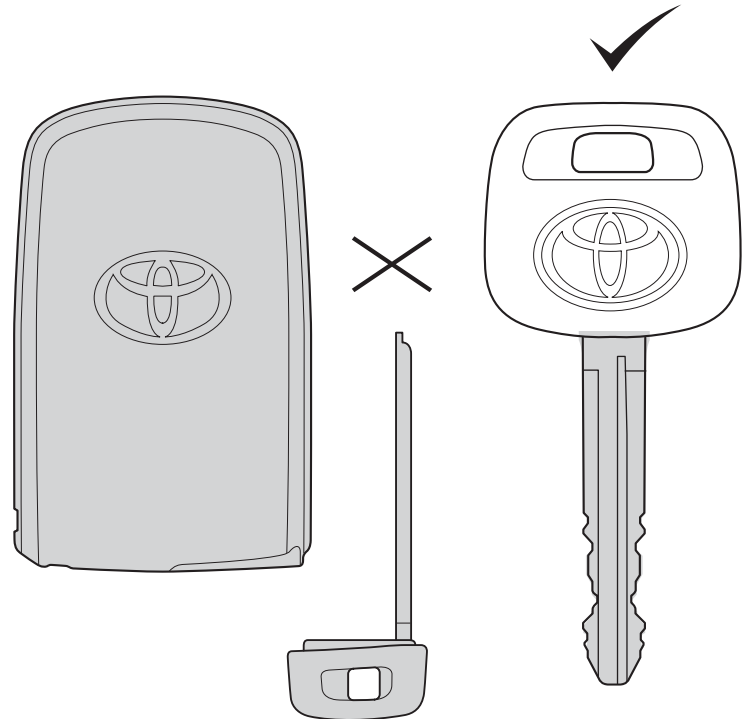
www.undercoverinfo.com
sales@undercoverinfo.com

© 2016 UnderCover, Inc.
All rights reserved.



Note: For Tacoma trucks with push button start.

If your truck has this combination, use the tailgate/glovebox key to code your lock.



If your truck has this combination, contact customer service. We will send you out the correct Toyota key to code to your lock.

UnderCover Customer Service
1-866-900-8800

